

# OPERATORS' GUIDE

## PDY-510

**DOUBLE ACTING HYDRAULIC  
COMPRESSION TOOL**

DIRECT CONNECT



**12 TONS OF FORCE  
ACCEPTS "U" TYPE DIES**

### WARNING



All information found in this guide must be read and understood before use or testing of this tool.

Failure to read and understand these warnings and safe handling instructions could result in severe personal injury and or death.

**RELIABLE EQUIPMENT & SERVICE CO., INC.**

92 Steamwhistle Drive • Ivyland, PA 18974 • USA  
Phone: 215-357-3500 • Fax: 215-357-9193

MODEL: \_\_\_\_\_

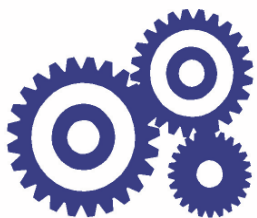
MAX. PRESSURE: \_\_\_\_\_

SERIAL NO.: \_\_\_\_\_

YEAR: \_\_\_\_\_

### NOTICE

Sizes, weights and tool specifications listed in this manual are subject to change without notice. Please consult factory for information and updates.



# RELIABLE EQUIPMENT & SERVICE CO., INC.

# DISTRIBUTED BY

## REGISTRATION

UPON RECEIPT OF THIS TOOL, COMPLETE THE REGISTRATION BELOW.

COMPANY \_\_\_\_\_

ADDRESS \_\_\_\_\_

\_\_\_\_\_

PHONE \_\_\_\_\_ FAX \_\_\_\_\_

SERIAL NUMBER \_\_\_\_\_

DATE OF PURCHASE \_\_\_\_\_

DEALER NAME \_\_\_\_\_

# TABLE OF CONTENTS

DISTRIBUTOR INFORMATION .....	2
REGISTRATION .....	3
TABLE OF CONTENTS .....	3
TOOL SPECIFICATIONS .....	4
DOUBLE ACTING TOOL OVERVIEW .....	5
CONTROL VALVE INFORMATION .....	6
SAFETY INFORMATION AND WARNINGS .....	7-11
OPERATING INSTRUCTIONS .....	12
DAILY & GENERAL MAINTENANCE .....	13
PARTS LIST .....	14
PARTS DIAGRAM .....	15
LABELS .....	16
MAINTENANCE RECORDS .....	16
CONTACT INFORMATION .....	16



**THIS SYMBOL INDICATES ITEMS OF EXTREME IMPORTANCE.**

Safety of user and others may be in jeopardy if these instructions are not read and understood.



**CAUTION**

The information in this manual is intended to guide the user in the use and application of this tool. It is not intended as a substitute for proper training and experience in safe work practices for this type of equipment.

Consult your supervisor or safety personnel if you have any questions regarding the safe operation of this tool.

If you have any questions regarding the information found in this manual please contact the supervising authority, or **RELIABLE EQUIPMENT** before continuing.  
Phone: 215-357-3500 • Toll Free: 800-966-3530 • Fax: 215-357-9193



# RELIABLE EQUIPMENT & SERVICE CO., INC.

## PDY-510



12 TON - DOUBLE ACTING - DIRECT CONNECT  
HYDRAULIC COMPRESSION TOOL

The **PDY-510** Double Acting Hydraulic 12 ton Crimping Head. Designed for connectors requiring 12 tons of crimping force.

Features double-acting hydraulic power to eliminate die hang-up. Easy, one-hand operation, and a 360° rotating head allow easy tool orientation for precision control of crimping cycle to improve safety and enhance reliability.

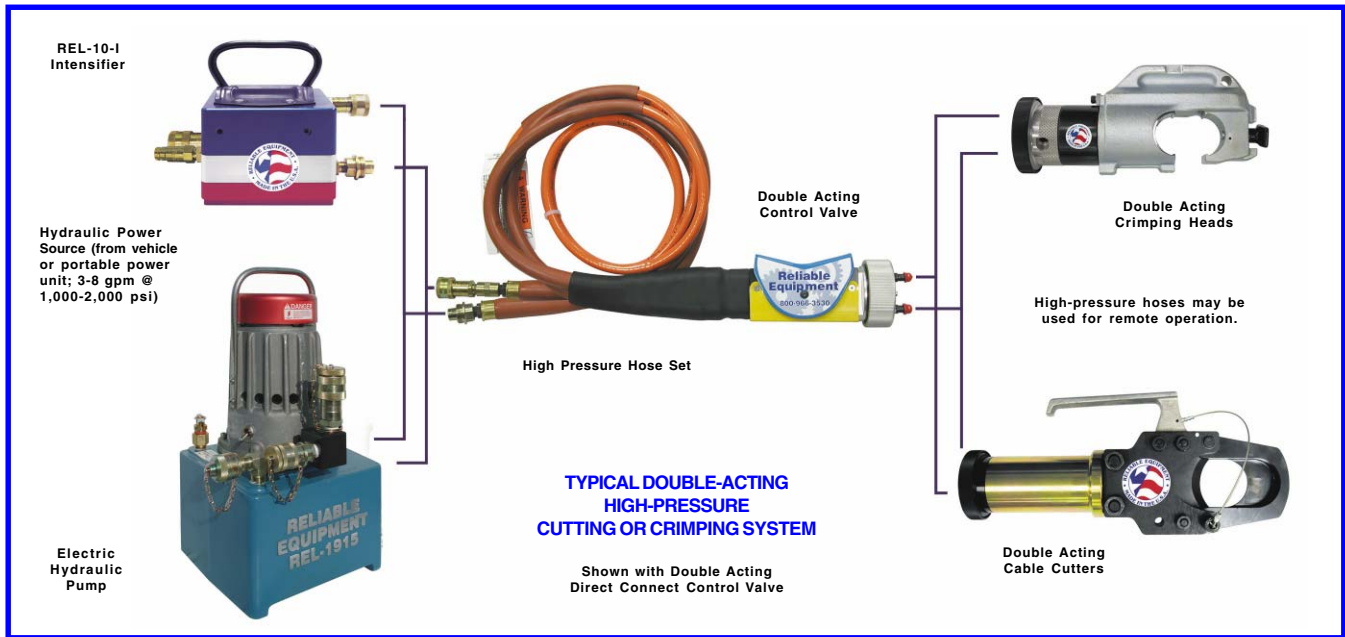
The **PDY-510** accepts 12 ton “U” style dies to easily crimp connector sizes up to 1-1/2 inch in diameter. This tool accepts standard Reliable 12 ton “U” style dies, as well as some dies from Burndy, Alcoa, Blackburn, and Thomas & Betts.

**Weight:** 12 lb.  
**Length:** 10.75 in.  
**Width:** 4.5 in.



## SPECIFICATIONS

System	Double-Acting
<b>Jaw Capacity</b>	<b>1-1/2"</b>
<b>Crimping Force</b>	<b>24,300 lb.</b>
<b>Return Force</b>	<b>4,030 lb.</b>
<b>Oper. Pressure</b>	<b>10,000 psi (690 bar)</b>
<b>Return Pressure</b>	<b>5,000 psi (345 bar)</b>
<b>Couplers</b>	<b>Direct Connect</b>
<b>Dies Accepted</b>	<b>Y-35 or Equal</b>
<b>Head Rotation</b>	<b>360°</b>



## DOUBLE-ACTING TOOLS ARE BUILT TO PROVIDE SAFETY, QUALITY AND RELIABILITY IN EVERY STEP OF HIGH PRESSURE TOOL OPERATION.

In most cases, double-acting tools are lighter and more compact than comparable crimping and cutting equipment, insuring easier and safer use. This is especially important in compact working areas and hot stick use when every ounce of a tool's weight is felt by the operator.

The one-hand valve operation is safer and easier to use, leaving your other hand free to control the tool head. Each valve has two pressure reliefs for extra safety: One to reduce the return cycle pressure to prevent damage to the tool; The second to protect against over pressurizing.

### DOUBLE-ACTING HYDRAULIC SYSTEM

**Superior Performance** - beats competitive power tool systems on key features and benefits.

**Better tool control** - start, stop, feather, and position your crimping or cutting head with ease.

**No die hang-ups** - crisply retracts the die after every crimp.

Compatible with many existing tool and die inventories or convert your existing tools and dies to our double-acting system.

**Consistent Pressure** - Delivers up to 10,000 psi at tool head, regardless of positioning.

**Quality Features** - Lightweight, built-in pressure reliefs; ground dumps; scavenger pump reduces back-pressure problems; one-hand valve operation; and certified non-conductive hoses.

**Portability** - Lighter and more streamlined than most other tools.

**Adaptability** - Use Reliable tools with your truck's existing system or one of our portable power units.

### VALVES

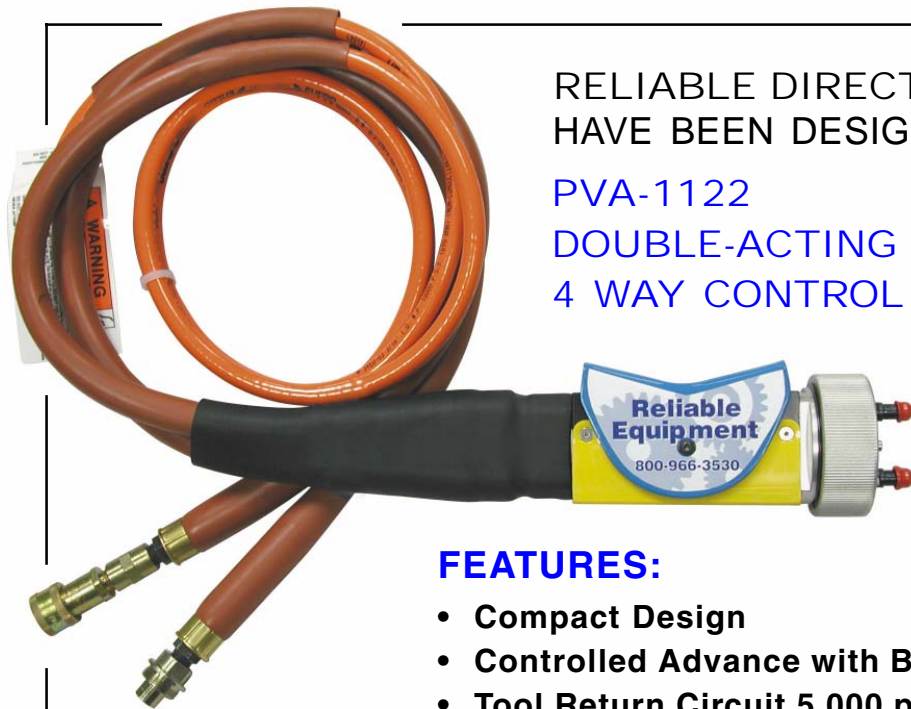
Reliable valves feature one-hand operation for extreme ease of use. They can be direct-coupled to the tool or, if you wish, attached with hoses for remote operation. In addition, they feature a built-in relief valve to limit tool return pressure and a ground dump safety valve to prevent over pressurizing in case the return hose becomes disconnected or plugged.

### CRIMPING HEADS

In many cases, double-acting crimping heads are significantly lighter than competitive models. Safety is designed-in as well. One example: A pressure reducing cavity is designed into each head to reduce the risk of personal injury from a high-pressure oil leak.

### CUTTERS

All cutters are double-acting and available in capacities from 1/2 in. to 4 in. Some models can handle a wide range of materials, including rebar, ACSR, guy strand, and bolts. Other safety features include hoses rated at four times the working pressure, and dielectrically safe hoses.



RELIABLE DIRECT CONNECT HEADS  
 HAVE BEEN DESIGNED FOR USE WITH  
**PVA-1122**  
**DOUBLE-ACTING DIRECT CONNECT**  
**4 WAY CONTROL VALVE**

**FEATURES:**

- **Compact Design**
- **Controlled Advance with Built-in Hold Feature**
- **Tool Return Circuit 5,000 psi Return Line**
- **6,200 psi Return Line Ground Dump Safety Valve**

Open center 4-way, 3-position control valve used for controlling double-acting Crimping Heads and Cutters. Connect directly to the tool or use with high pressure hoses for remote operation. The Pivot Style Control Valve may be operated with one hand, leaving the second hand free to control the head.

Lever “locks” in the forward position for tool advance, and in the rear position for tool retraction. Returns automatically to center “OFF” position when rated tool pressure is reached.

The Ground Dump Safety Valve, a standard feature, will activate if the return line is not connected. It protects the system by dumping the flow into the atmosphere.

SPECIFICATIONS	<b>PVA 0022</b>	<b>PVA 1122</b>	<b>Dimensions:</b>
System	<b>Double-Acting</b>	<b>Double-Acting</b>	<b>Length: 7 in.</b>
Max. Oper. Pressure	<b>10,000 psi</b>	<b>10,000 psi</b>	<b>Width: 2 in.</b>
Return Pressure	<b>5,000 psi</b>	<b>5,000 psi</b>	<b>Height: 3.5in.</b>
Port Size (Inlet)	<b>1/4-18 NPTF</b>	<b>1/4-18 NPTF</b>	<b>Weight: 2.5 lb.</b>
Port Size (Tool)	<b>1/4-18 NPSM</b>	<b>1/4-18 NPSM</b>	PVA 1122 is 3 lb. W/ Coupler
Couplers	<b>H/P 10,000 psi Quick Connect</b>	<b>Direct Connect</b>	

**NOTE:** Any of the **RELIABLE** direct connect tool heads may also be used with the PVA 0022 or comparable 4 way control valve with the addition of a set of high pressure couplers.



**WARNING**

**BEFORE USING THIS TOOL, READ THE WARNINGS and the recommended practices described in this manual. Failure by the operator to read and fully understand these warnings will leave this person unqualified to use and operate this tool. Property damage, severe personal injury, and/or death could result by not following these warnings.**

These warnings will appear in appropriate locations when they are pertinent to the particular subject being shown. Read each one carefully and follow them strictly.



### **Eye Protection**

**WARNING**

**Always wear eye protection to avoid injury from flying debris or hydraulic oil leaks. Failure to do so can result in serious personal injury.**



### **Skin Irritation**

**WARNING**

**Hydraulic oil may cause irritation. Use care to prevent contact with skin. In case of accidental contact, wash affected area immediately**



### **Hard Hat**

**WARNING**

**Always wear a hard hat to avoid injury from falling debris. Failure to do so can result in serious personal injury.**



### **Foot Protection**

**WARNING**

**Always wear foot protection. Failure to do so can result in serious personal injury.**



### **Hearing Protection**

**WARNING**

**Always wear hearing protection, to avoid hearing loss due to long term exposure to high noise levels.**



### **Protective Gloves**

**WARNING**

**Always wear protective gloves Failure to do so can result in serious personal injury.**



WARNING

## SAFE OPERATION & CARE

**USE THIS TOOL FOR ITS INTENDED PURPOSE ONLY**  
Any other use can result in injury or property damage.

**INSPECT TOOL BEFORE USE.** Replace any worn, damaged or missing parts. A damaged or improperly assembled tool may malfunction, injuring operator and/or nearby personnel.

**INSPECT HYDRAULIC HOSES AND COUPLINGS** before each use. Repair or replace if any cracking, leakage, wear or damage is found. Worn or damaged hoses may fail resulting in personal injury or property damage.

**CLEAR WORK AREA** of all bystanders and unnecessary personnel before operating this tool.

**KEEP ALL PARTS OF THE BODY AWAY FROM MOVING PARTS.**

Failure to observe this warning could result in serious injury.



WARNING

## HYDRAULIC POWER SUPPLY

**DO NOT** attempt to make any changes to any of the component parts or accessories when connected to the power source.

**DO NOT** adjust, inspect, or clean tool while the tool is connected to the power source. The tool could accidentally start up and cause serious injury.

**DO NOT** lock the tool in the On Position. In an emergency, serious damage or injury could occur during the time required to stop the tool.



WARNING

## OIL INJECTION INJURY

Hydraulic oil or fluid under the skin is a serious injury. Oil under pressure can penetrate the skin and may cause dismemberment or loss of life. Seek medical assistance immediately if such an injury should occur.

Always wear safety gloves, eye protection and all required safety equipment when operating or handling this tool.

**DO NOT** use fingers or hands to attempt to locate a leak.

**DO NOT** handle hoses or couplers while system is pressurized.

**NEVER** open or service the system before depressurizing.



WARNING

## HOSES AND FITTINGS

There exists the potential for shock in using anything other than certified nonconductive hoses and hydraulic oil with dielectric properties, when using system components near energized electrical lines. Failure to recognize these conditions could cause electrocution.

Hoses and fittings used with this tool must comply with S.A.E. J1273 which covers recommended practice for selection, installation, and maintenance of hose and hose assemblies. The **correct hoses and fittings are available from your supplier.**

**WARNING:** Failure to comply with these warnings could result in severe bodily injury.



WARNING

## UNIT/HOSE CONNECTIONS

**ALWAYS DISCONNECT** pump/power source and move toggle switch to **OFF** before connecting or disconnecting any components.

**ALWAYS DEPRESSURIZE** hydraulic system, before slowly disconnecting this unit or any of the systems components.

**ALWAYS TIGHTEN** couplings completely. Loose or improperly tightened couplings will not allow fluid to pass through the hose creating a blockage in the supply or return line.

**ALWAYS INSPECT HOSES AND CONNECTORS** before connection to tool. Replace or repair if any leakage is evident. Leakage is a sign of deterioration in component parts. Worn or leaking parts must be repaired or replaced, or tool damage or severe injury could result.



CAUTION

## HOSE INSTALLATION

**ALWAYS ENSURE CONNECTORS ARE CLEAN**

**DOUBLE ACTING** - Care must be taken to assure the correct connection of the hoses to the pressure and return (tank) ports. Connect the return hose to the return (tank) port on the power source, then to the return port on the tool.

Connect the pressure hose to the pressure port on the tool, then to the "P" pressure port on the power source.

Operation with hydraulic flow reversed can cause malfunction. Failure to fully comply can result in severe injury or death.



WARNING

Operation/Safety methods may vary in accordance with the working guidelines established by each utility or contractor.

For your own safety, ensure that you fully comply with all safe operation guidelines required by your employer.



WARNING

## ELECTRICAL SHOCK HAZARD

Always wear and use the necessary clothing, equipment and safety practices to protect against electrical shock. Failure to follow these rules can result in serious personal injury or death.



## GENERAL SAFETY



**USE ALL APPROPRIATE AND APPLICABLE PERSONAL SAFETY EQUIPMENT** as required by the operating company.

**ALWAYS INSPECT TOOL** for wear or deterioration every day. Replace all parts that show signs of wear or damage.

**KEEP ALL PARTS OF THE BODY AWAY** from moving parts of the tool.

**KEEP HANDS OUT FROM BETWEEN FIXED AND MOVING JAWS AT TOOL HEAD.**

**HANDS SHOULD BE OUTSIDE DANGER ZONE PRIOR TO ACTIVATING JAWS.**

**MAKE SURE** there is no person in close proximity to you or the tool who could be injured by any operation being performed, tool malfunction or flying debris.

**DO NOT OVEREXTEND** your position by overreaching or unbalancing the footing necessary to maintain physical control of your body.

**ALWAYS MAINTAIN** a firm grip on the tool to avoid loss of control during an operation, causing property damage, serious injury or death.

**USE THIS TOOL FOR THE MANUFACTURERS' INTENDED PURPOSE ONLY.**

**OBSERVE CLOSELY ALL SAFETY RULES FOR A PARTICULAR JOB CLASS**

**FAILURE TO HEED THESE WARNINGS COULD RESULT IN PROPERTY DAMAGE, SERIOUS PERSONAL INJURY OR DEATH.**



WARNING

## SERIOUS BURN HAZARD

**HOT SURFACES MAY CAUSE SERIOUS BURNS.**

The hydraulic cylinder may be hot during and after operation.

**CAUTION: HYDRAULIC FLUID MAY CAUSE SERIOUS BURNS.**

Never disconnect tool, hoses, or fittings while the hydraulic power source is running or if the hydraulic fluid is hot.

**Failure to observe this warning could result in serious injury.**



WARNING

## CRIMP DANGER

**This hydraulic crimping tool can crush and/or disable.**

**KEEP ALL PARTS OF THE BODY AWAY FROM MOVING PARTS.**

**DO NOT** lock the tool in the On Position. In an emergency, serious damage or injury could occur during the time required to stop the tool.

**Failure to observe this warning could result in serious injury**



WARNING

## TOOL HAZARD

**DO NOT OPERATE TOOL WITHOUT DIES.**

**DO NOT EXCEED THE MAXIMUM HYDRAULIC FLOW, RELIEF PRESSURE, OR BACK PRESSURE.**

**Failure to observe warnings could result in tool damage or injury.**



WARNING

## FIRE HAZARD

**An incomplete crimp may pose a fire hazard.**

Always use the appropriate connector, die set, and compression tool, as required by the intended application.

Compression tool should be tested on a regular schedule to ensure accurate compression.

**Failure to observe this warning could result in serious injury.**

**IF YOU HAVE ANY QUESTIONS REGARDING THE SAFE USE AND/OR OPERATION OF THIS TOOL, CONSULT YOUR AREA SUPERVISOR, OR CONTACT RELIABLE EQUIPMENT AT 800-966-3530**

# OPERATION

Read entire manual prior to using this tool.

(Refer to all safety recommendations and warnings)

Observe all safety precautions and procedures required by the operating company.  
(Also refer to SAFETY information found on pages 5 through 9)

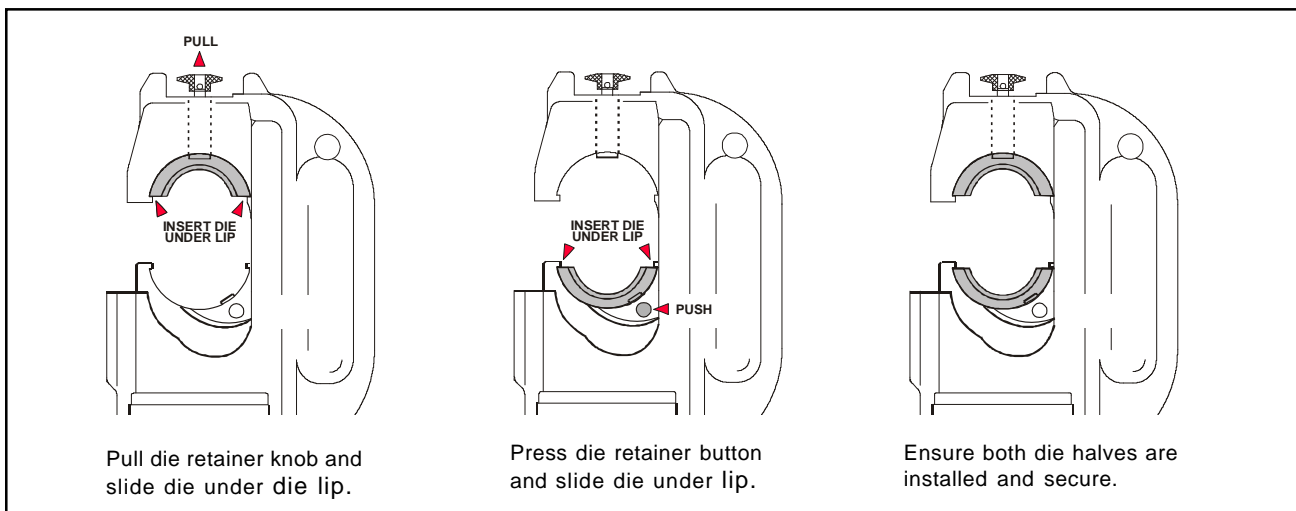
Before crimping, ensure that crimp is within the capacity listed for the tool.

Refer to connector manufacturer's instructions for cable preparation and crimping procedure.

Ensure that you are using the proper die, as recommended by the connector manufacturer.

## **WARNING: DO NOT OPERATE TOOL WITHOUT DIES**

1. Ensure that proper 10,000 psi power source is turned **OFF** and valve is in **OFF** position.
2. Connect to a 10,000 PSI power source with an audible "Pop Off" type relief valve.  
(Recommended) (Refer to page 7 UNIT/HOSE CONNECTION)
3. Ensure that the ram is fully retracted.
4. Insert proper die into die seat.



5. Place tool over connector. Center connector between the dies.
6. Align jaw as necessary to ensure proper crimp. Position subject at a 90° angle to the tool.

## **KEEP HANDS AND ALL BODY PARTS AWAY FROM COMPRESSION OPERATION**

7. Turn power source "ON" and activate control valve to advance compression dies up to subject. **Check tool alignment.**
8. Continue to advance until "pop off" is felt or heard and full pressure has been obtained.
9. Use valve or double acting pump to retract dies.
10. Repeat procedure as required by compression sleeve or regulating authority.
11. Visually inspect crimp for correctness.
12. Return source to the "OFF" position and allow to retract completely.

Manufacturer recommends regular testing for proper pressure and operation.  
Test at least every 6 (six) months, test more often under heavy usage.

# DAILY MAINTENANCE

**The life, reliability, and safety of the tool is dependent on proper use and maintenance.**

STORE THE TOOL PROPERLY . . . Before storing tools release pressure and ensure the ram is fully retracted. This protects the operating ram from moisture and condensation.

**NOTE:** When the tool has been stored for extended period of non-use, the tools should be activated approximately every 3 weeks to keep o-rings and seals lubricated.

**Clean and inspect all surfaces including tool head, ram, body and connectors.**

Particularly avoid joint compounds from building up on the die retainers and ram.

**WARNING:** Head, retainers, and/or parts may cut or pinch. Please use extreme caution.

Worn or damaged parts may malfunction during operation, causing more extensive damage to the tool and/or severe injury to the operator or bystander.

**All parts must be replaced with new parts if signs of wear or damage are evident.**

DO NOT MAKE ADJUSTMENTS TO THE TOOL . . . There are no adjustments on this tool which can be made in the field. If a tool becomes inoperative and the instructions in this booklet do not correct the malfunction have the tool serviced by RELIABLE EQUIPMENT or an authorized service provider.

Keep Label Set clean and legible. Replace decals when necessary.

## GENERAL MAINTENANCE

This tool requires well-trained experienced personnel for major repairs, adjustments or maintenance. **Complete disassembly is not recommended. Return the unit to an authorized dealer for total disassembly and/or repair.** It is suggested that tools requiring repairs be returned to Reliable Equipment for correction unless overall local conditions are adequate and service training has been provided. Reliable Equipment is set up to provide quick maintenance and overhaul service. Contact your Reliable Equipment representative if service is required.

All maintenance or disassembly should take place on a flat, clean work surface covered with towels or wipers so as to have a clean space for the disassembled parts.

Inspect each part during disassembly for wear, scratches, and cuts. Discard the worn or damaged parts and replace with new factory authorized parts.

O-rings are sensitive to sharp edges. Inspect closely for cuts or damage. A small cut will cause a leak. When assembling or disassembling O-rings, use hydraulic fluid as a lubricant to help disassembly or installation.

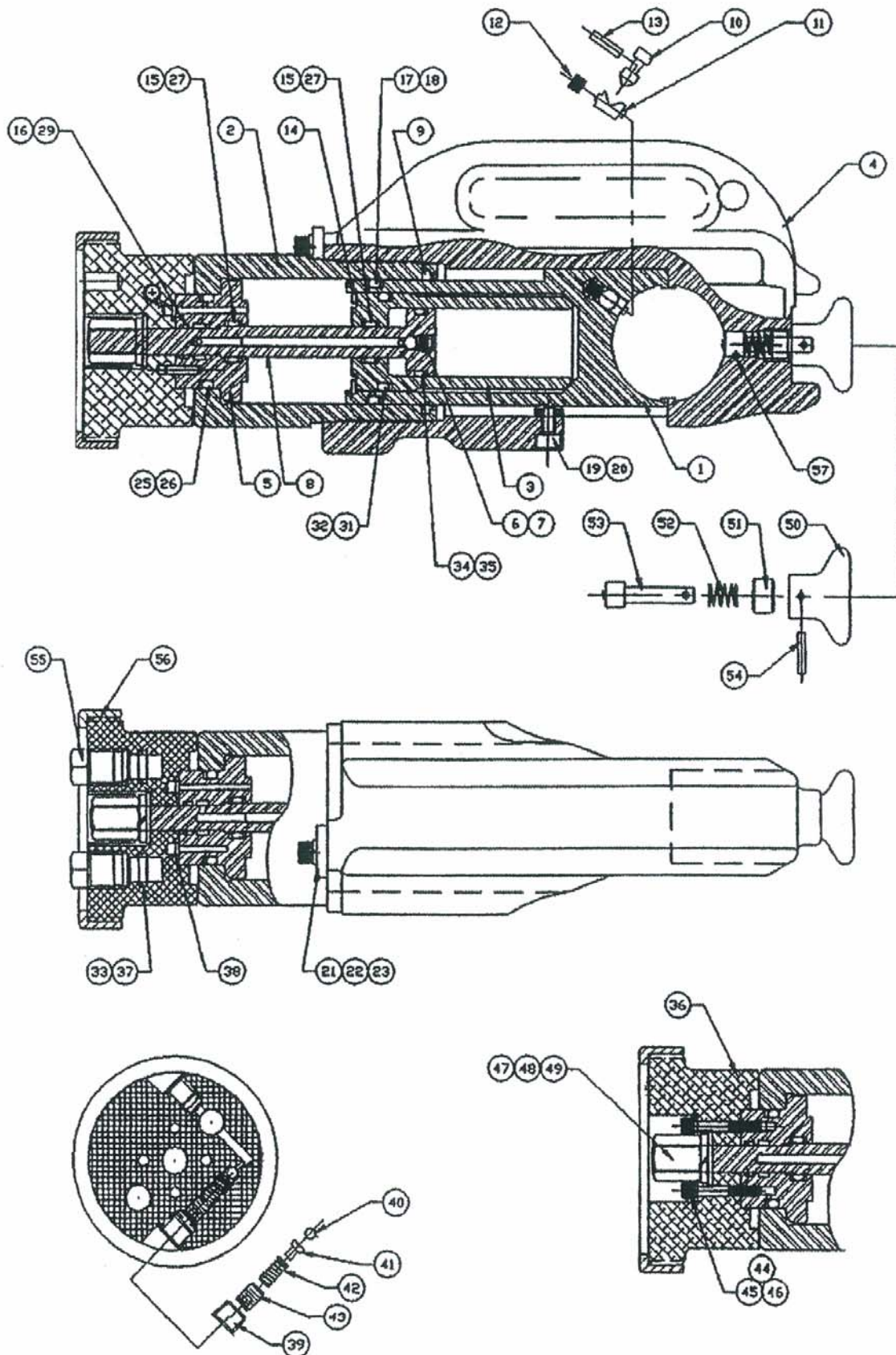
**NOTICE:** When disposing of hydraulic fluid, parts or components observe all federal, state, and local guidelines.

**IF YOU HAVE QUESTIONS REGARDING THE REPAIR AND MAINTENANCE OF THIS TOOL CONTACT RELIABLE EQUIPMENT OR YOUR RELIABLE EQUIPMENT REPRESENTATIVE.**

# PDY-510 PARTS LIST

#	PART	QTY	PART #
1	RAM .....	1	R19001
2	OUTTER CYLINDER .....	1	R19002
3	CYLINDER .....	1	R19003
4	C-FRAME .....	1	R19100
5	PISTON RETAINER .....	1	R19005
6	BALL .....	1	R19006
7	FLAT POINT SCREW .....	1	R19007
8	INNER PISTON .....	1	R19008
9	WIPER .....	1	*
10	DIE BUTTON .....	1	R19010
11	DIE RETAINER .....	1	R19011
12	COMPRESSION SPRING .....	1	R19012
13	SPRING PIN .....	1	R19013
14	RETAINING RING .....	1	R19014
15	BACK UP RING .....	4	*
16	BACK UP RING .....	1	*
17	O-RING .....	1	*
18	BACK UP RING .....	1	*
19	KEY .....	1	1220-6
20	SCREW .....	1	1220-7
21	LOCK WASHER .....	1	1220-15
22	SCREW .....	1	1220-9
23	CYLINDER ROTATIONAL LOCK .....	1	1220-18
25	O-RING .....	1	*
26	BACK UP RING .....	1	*
27	O-RING .....	2	*
29	O-RING .....	1	*
31	O-RING .....	1	*
32	BACK UP RING .....	1	*
34	O-RING .....	1	*
35	BACK UP RING .....	1	*
36	END CAP .....	1	12120
37	O-RING .....	2	*
38	O-RING .....	3	*
39	PIPE PLUG .....	2	R19039
40	CHECK BALL .....	1	R19040
41	PINTLE .....	1	R19041
42	COMPRESSION SPRING .....	1	R19042
43	SET SCREW .....	1	R19043
44	FLAT WASHER .....	4	1220-10
45	SCREW .....	4	1220-12
46	LOCK WASHER .....	4	1220-11
47	NUT .....	1	1220-8
48	LOCK WASHER .....	1	1220-14
49	FLAT WASHER .....	1	1220-13
50	DIPPED BUTTON .....	1	1220-20D
51	SCREW .....	1	1220-3
52	SPRING .....	1	1220-4
53	RETAINER PIN .....	1	1220-5
54	DRIVE PIN .....	1	1220-16
55	CAP PLUG .....	2	
56	THREAD PROTECTOR .....	1	1220-19
57	ROLL PIN .....	1	1220-17
*	SEAL KIT(*ITEMS INCLUDED IN KIT) .....		R19050

# PDY-510 PARTS DRAWINGS





**WARNING**

BEFORE USING THIS PRODUCT READ THE SAFETY WARNINGS and recommended practices described in the manual. Failure by the operator to read and fully understand the warnings will leave this person unqualified to use and operate the tool.

Failure to observe all warnings and instructions could result in property damage, severe personal injury, and/or death.

**NOTE:** Keep Label Set clean and legible. Replace decals when necessary.

**CAUTION**

Operation and safety methods may vary in accordance with the guidelines established by each utility. For your safety, ensure that you fully comply with all safe operation guidelines established by your respective power utility.

REL-SM

**DANGER**

The user should be properly trained in the correct procedures required for work on or around electrical lines.



### Maintenance Records

Date	Parts or Service Required

If you have any questions regarding the information found in this manual please contact RELIABLE EQUIPMENT at the address, phone or fax numbers shown below.



**RELIABLE EQUIPMENT & SERVICE CO., INC.**

92 Steamwhistle Drive • Ivyland, PA 18974  
 Phone: 800-966-3530 • Fax: 215-357-9193  
 Visit us on the web at [www.Reliable-Equip.com](http://www.Reliable-Equip.com)