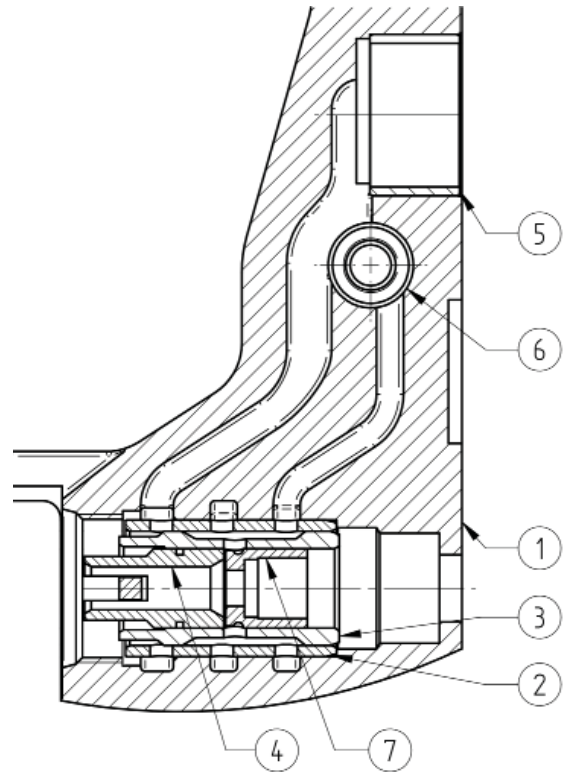


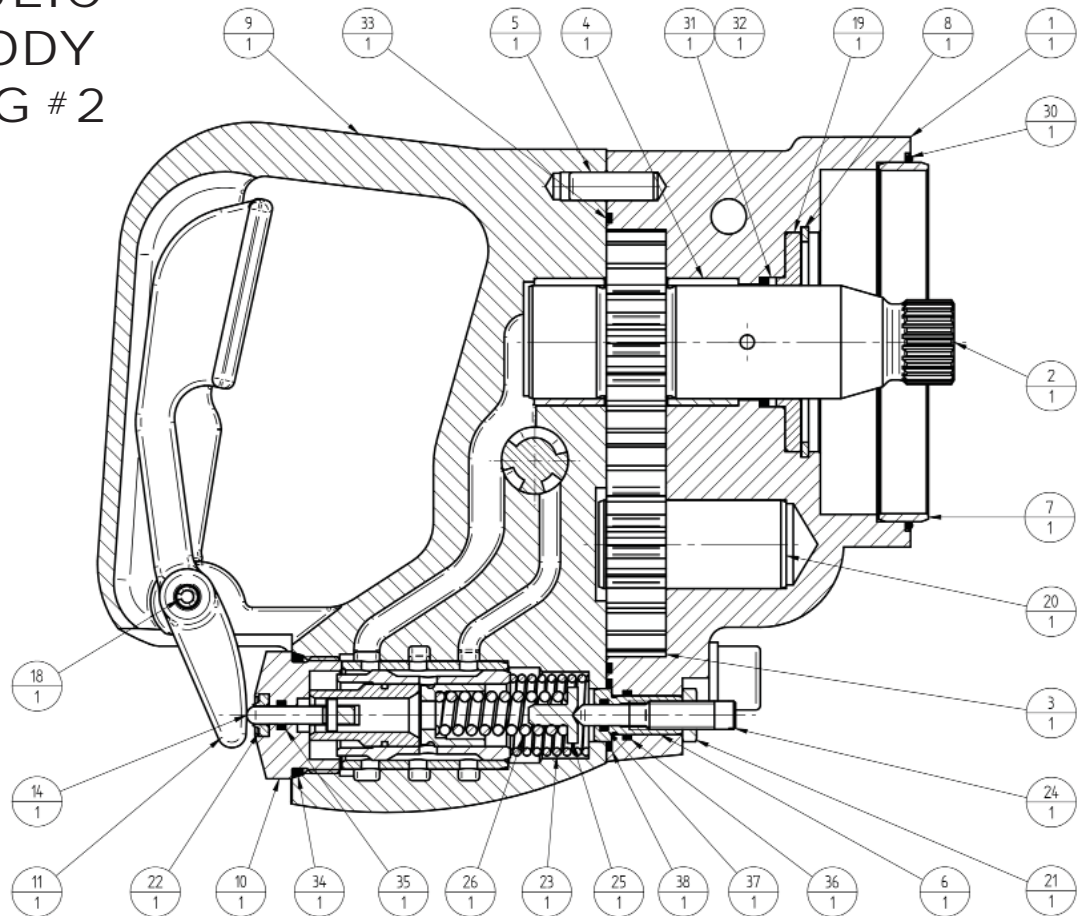
# REL-1-IW 1" IMPACT

## VALVE HANDLE DRAWING # 1

BALLOON	PART	DESCRIPTION.....	QTY.
1	R1891064	VALVE HANDLE.....	1
2	R1891065	VALVE SLEEVE.....	1
3	R1898013	VALVE SPOOL - OPEN.....	1
4	R1891061	RELIEF SEAT.....	1
5	R1891022	BUSHING.....	1
6	R1891020	REVERSING SPOOL.....	1
7	R1891066	RELIEF POPPET.....	1

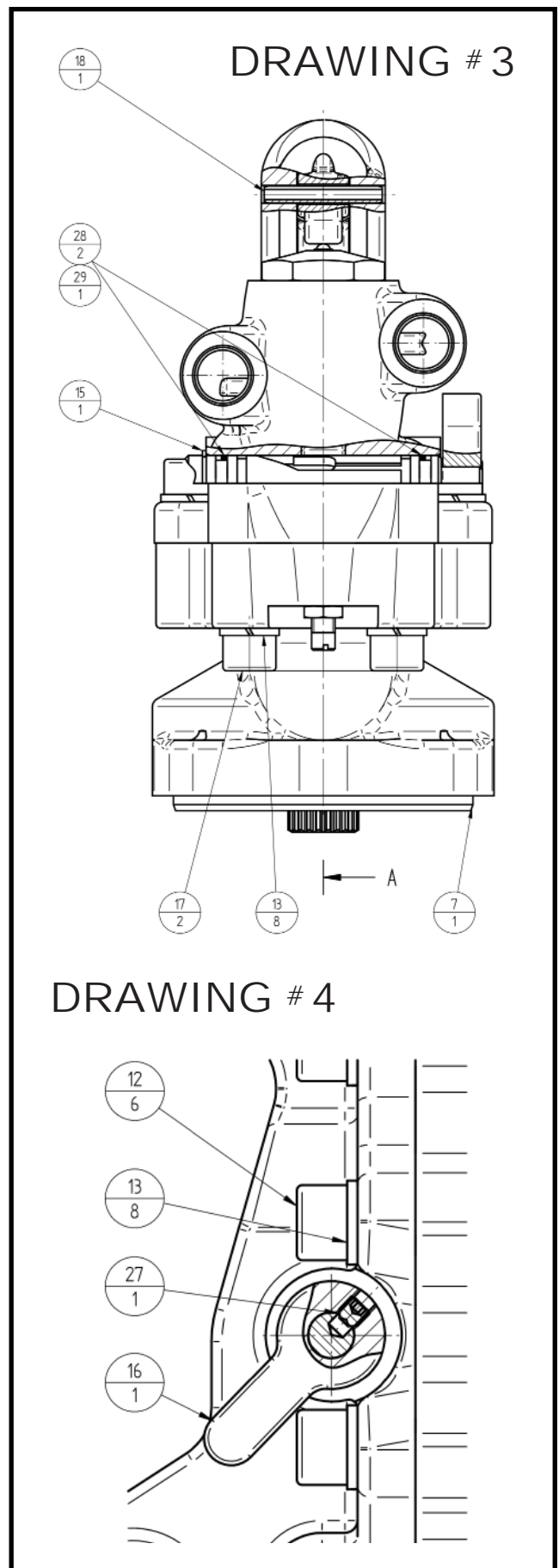


## HYDRAULIC TOOL BODY DRAWING # 2

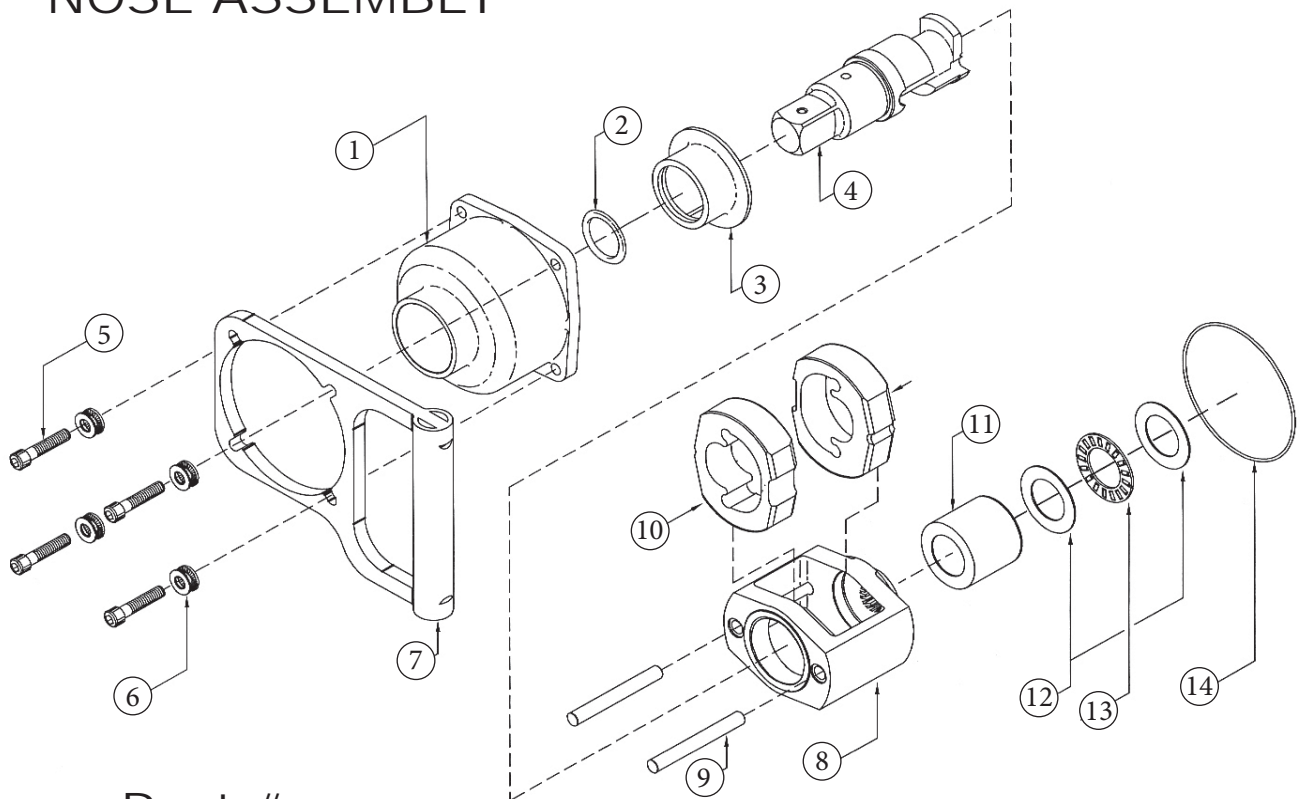


# REL-1-IW PARTS LIST HYDRAULIC TOOL BODY

BALLOON	PART	DESCRIPTION.....	QTY.
1	R1891064	MOTOR HOUSING .....	1
2	R1891065	DRIVE GEAR .....	1
3	R1898013	FULL DRIVEN GEAR.....	1
4	R1891061	BUSHING .....	1
5	R1891022	PIN' .....	1
6	R1891020	BUSH ADJUSTING SCREW ....	1
7	R1891066	HOLLOW DOWEL.....	1
8	R4550240	RETAINING RING .....	1
9	R1898012	HANDLE ASSY.....	1
10	R1891017	NUT VALVE .....	1
11	R0009014	TRIGGER .....	1
12	R1891072	SCREW .....	6
13	R1891070	WASHER.....	8
14	R1891018	TRIGGER PIN .....	1
15	R1891035	RETAINING RING .....	1
16	R0009039	REVERSE LEVER.....	1
17	R1891071	SCREW .....	2
18	R1891069	ROLL PIN .....	1
19	R1891067	COVER SHAFT SEAL.....	1
20	R1891068	STUD DRIVEN GEAR.....	8
21	R1891026	NUT .....	8
22	R1891032	WIPER.....	1
23	R1891056	SPRING.....	1
24	R1891019	ADJUSTING SCREW.....	1
25	R1891021	SUPPORT SPRING.....	2
26	R1891057	SPRING.....	1
27	R1891038	SCREW .....	1
28	R1891036	O-RING.....	2
29	R1891037	BACK-UP RING.....	2
30	R1891073	O-RING.....	1
31	R1891074	O-RING.....	1
32	R1891075	BACK-UP RING.....	1
33	R1891076	O-RING.....	1
34	R1891033	O-RING.....	1
35	R1891034	O-RING.....	1
36	R1891031	O-RING.....	1
37	R1891027	O-RING.....	1
38	R1891077	O-RING.....	1
39	R1891078	HELICOIL .....	4



# REL-1-IW NOSE ASSEMBLY



Part #  
R-IW1-IM

BALLOON PART	DESCRIPTION.....	QTY.
1	R200022 HAMMER CASE ..... (Includes R200023 & R200017)	1
2	R200017 O-RING .....	1
3	R200023 HAMMER CASE BUSHING .....	1
4	R200019 ANVIL.....	1
5	R200025 SCREW.....	1
6	R200026 LOCKWASHER.....	1
7	R200048 ASSIST HANDLE.....	1
8	R200020 HAMMER FRAME..... (Includes R200021 HAMMER PIN)	1
9	R200021 HAMMER PIN .....	1
10	R200018 HAMMER .....	1
11	R200047 THRUST SPACER.....	1
12	R200045 THRUST WASHER.....	1
13	R200044 THRUST BEARING .....	1
14	R200050 O-RING .....	1